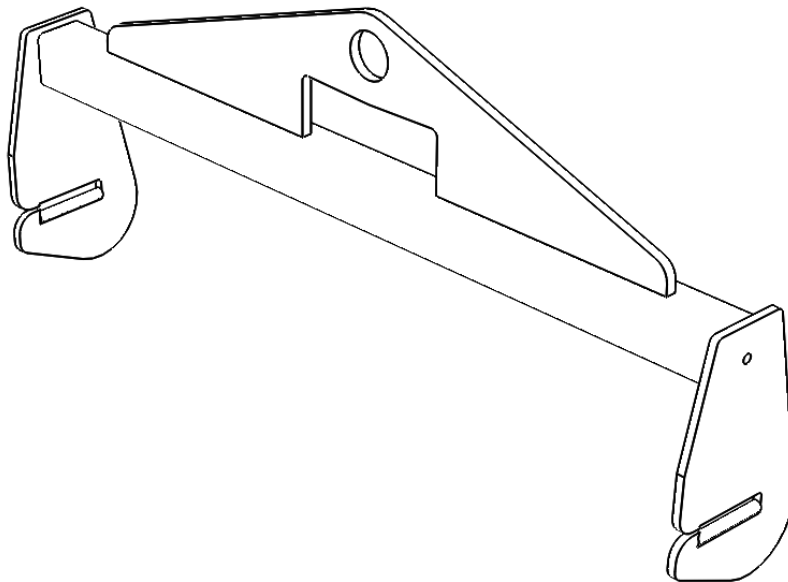


# *Lifting yoke*



## **Instructions for Use**



## EU DECLARATION OF CONFORMITY

According to  
The Machinery Directive 2006/42/EC

### Type of equipment

Lifting yoke

### Type designation

Lifting Yoke Art. No F102537880

The lifting yoke F102537880 is designed only for lifting and lowering the ESAB MARATHON PAC™, type MP94 and MP9A with a Max Working Load Limit of 530 kg.

### Brand name or trademark

ESAB AB

### Manufacturer or his authorized representative established within the EEA Name, address, and telephone No:

ESAB AB  
Lindholmsallén 9, Box 8004, SE-402 77 Gothenburg, Sweden  
Phone: +46 31 50 90 00, [www.esab.com](http://www.esab.com)

### The following harmonized standard in force within the EEA has been used in the design:

SS-EN 12100:2010, Safety of machinery - General principles for design - Risk assessment and risk reduction (ISO 12100:2010)

### Additional Information

The Technical File, to which this declaration relates, has been compiled and is held by us as Manufacturer.

**By signing this document, the undersigned declares on behalf of the manufacturer, or the manufacturer's authorized representative established within the EEA, that the equipment in question complies with all the relevant provisions of Directive 2006/42/EC.**

Date

Signature

Name and position

Gothenburg

2021-07-02

Ryan Hodder

General Manager, Filler Metals  
ESAB



TABLE OF CONTENTS

---

<b>1</b>	<b>SAFETY</b> .....	<b>4</b>
1.1	Meaning of symbols .....	4
1.2	Safety precautions .....	4
<b>2</b>	<b>INTRODUCTION</b> .....	<b>6</b>
2.1	Manufacturer's information .....	6
2.2	Example of yoke nameplate.....	6
2.3	Machine description .....	6
<b>3</b>	<b>OPERATION</b> .....	<b>7</b>
3.1	User instruction .....	7
<b>4</b>	<b>MAINTENANCE</b> .....	<b>8</b>
<b>5</b>	<b>ORDERING NUMBER</b> .....	<b>9</b>

# 1 SAFETY

## 1.1 Meaning of symbols

As used throughout this manual: Means Attention! Be Alert!



### DANGER!

Means immediate hazards which, if not avoided, will result in immediate, serious personal injury or loss of life.



### WARNING!

Means potential hazards which could result in personal injury or loss of life.



### CAUTION!

Means hazards which could result in minor personal injury.



### WARNING!

Before use, read and understand the instruction manual and follow all labels, employer's safety practices and Safety Data Sheets (SDSs).



## 1.2 Safety precautions

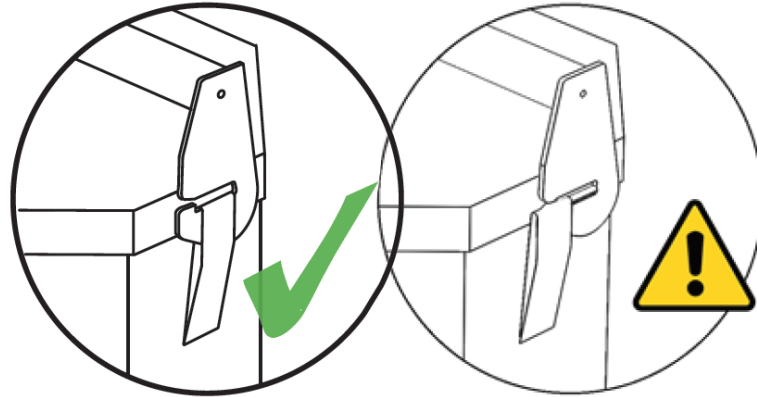
Users of ESAB equipment have the ultimate responsibility for ensuring that anyone who works on or near the equipment observes all the relevant safety precautions. Safety precautions must meet the requirements that apply to this type of equipment. The following recommendations should be observed in addition to the standard regulations that apply to the workplace.

All work must be carried out by trained personnel well-acquainted with the operation of the equipment. Incorrect operation of the equipment may lead to hazardous situations which can result in injury to the operator and damage to the equipment.

1. Anyone who uses the equipment must be familiar with:
  - its operation
  - its function
  - relevant safety precautions
2. The operator must ensure that:
  - no unauthorised person is stationed within the working area of the equipment when it is in operation
3. The workplace must:
  - be suitable for the purpose
4. Personal safety equipment:
  - Always wear recommended personal safety equipment, such as; safety glasses, safety gloves, safety shoes
  - Do not wear loose-fitting items, such as scarves, bracelets, rings, etc., which could become trapped or cause burns

5. General precautions:

- There is a risk for unintentional unhooking if the lifting yoke position is not properly aligned with the lifting belt position while lifting. Fig 1
- There is a risk for package damage if the ESAB MARATHON PAC™ tilts in any direction during use of the lifting yoke F102537880.
- There is a risk of the lifting yoke sliding off from the fork lift fork, if the fork is directly lifting the lifting yoke rather than use the hook in the eye hole.



**Fig. 1**

## 2 INTRODUCTION

---

### 2.1 Manufacturer's information

ESAB AB, Lindholmsallen 9, Box 8004, 402 77 Gothenburg, Sweden

### 2.2 Example of yoke nameplate



### 2.3 Machine description

The lifting yoke F102537880 is designed only for lifting and lowering the ESAB MARATHON PAC™, type MP94 and MP9A with a **Max Working Load Limit of 530 kg**.

**Lifting yoke art. No F102537880** withstand a static load of **1,5 times the working load limit** without any plastic deformation or weld failure

## 3 OPERATION

General safety regulations for handling the equipment can be found in the "SAFETY" chapter of this manual. Read it through before you start using the equipment!

**WARNING!**

Before use, read and understand the instruction manual and follow all labels, employer's safety practices and Safety Data Sheets (SDSs).



### 3.1 User instruction

1. Check the lifting yoke before use for damage or wear. A damaged or worn lifting yoke shall not be used
2. Damaged or wet ESAB MARATHON PAC™ packages shall not be lifted
3. The lifting yoke may only be used for lifting ESAB MARATHON PAC™, type MP94 and MP9A with a Max Working Load Limit of 530 kg
4. The lifting yoke shall be mounted as shown of Fig. 2
5. Make sure that the lifting belts on both sides are completely engaged and remain in the hooks while lifting ESAB MARATHON PAC™. See Fig 2 for correct and Fig 1 for incorrect use
6. The lifting operation should be carried out in accordance with approved practice.

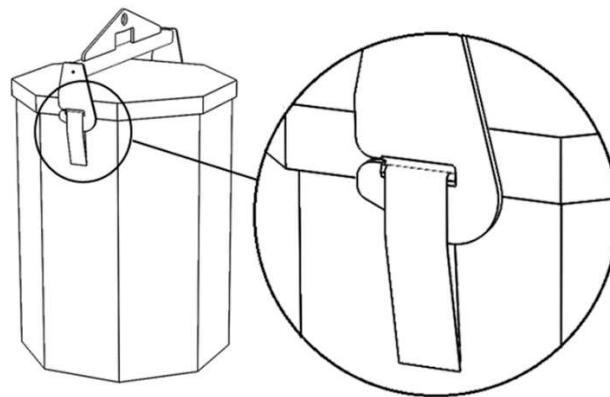


Fig. 2

## 4 MAINTENANCE



**NOTE!**

Regular maintenance is important for safe and reliable operation.

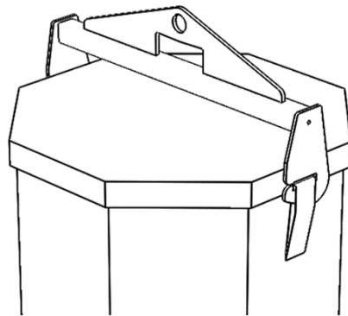


**NOTE!**

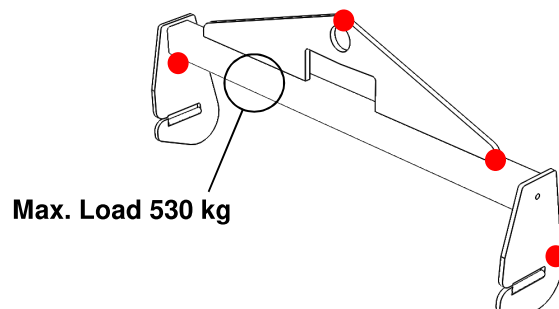
Perform maintenance more often during severe dusty conditions.

Before each use - make sure that:

- Information on the yoke nameplate must be legible, Fig. 4.
- The lifting yoke F102537880 must be visually checked before each use for damage, structural deformation or crack formation, in particular at the areas highlighted in red in Fig. 4.
- If any structural deformation or crack formation is visible, the lifting yoke F102537880 must be replaced immediately with a new one.



**Fig. 3. Product weight max 530, incl. packaging**



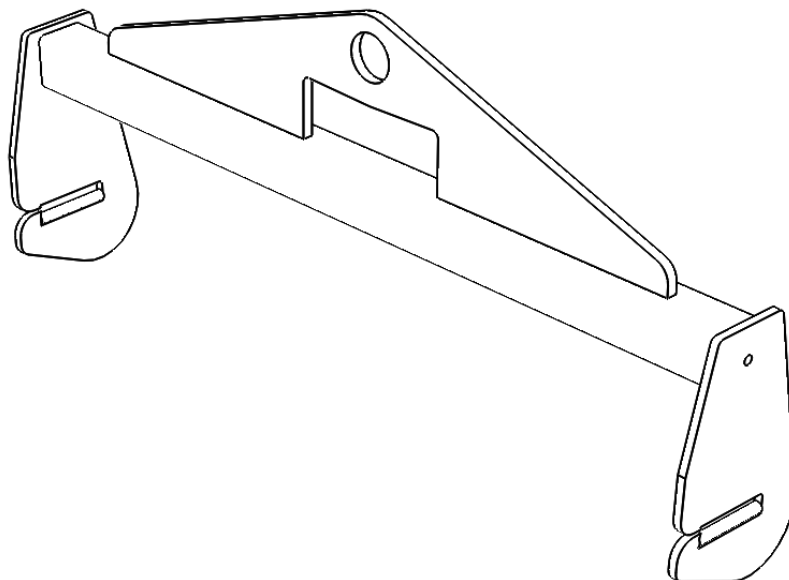
**Fig. 4. Machine sign, visual check**



---

## 5 ORDERING NUMBERS

---



Ordering number	Denomination	Type	Notes
F102 537 880	Lifting yoke	Max load 530 kg	
F102 537 *	Instruction manual		

The three last digits in the document number of the manual show the version of the manual. Therefore they are replaced with \* here. Make sure to use a manual with a serial number or software version that corresponds with the product, see the front page of the manual.

**ESAB has an assortment of welding accessories and personal protection equipment for purchase. For ordering information contact your local ESAB dealer or visit us on our website.**



# A WORLD OF PRODUCTS AND SOLUTIONS.



For contact information visit [esab.com](http://esab.com)

ESAB AB, Lindholmsallén 9, Box 8004, 402 77 Gothenburg, Sweden, Phone +46 (0) 31 50 90 00

<http://manuals.esab.com>

